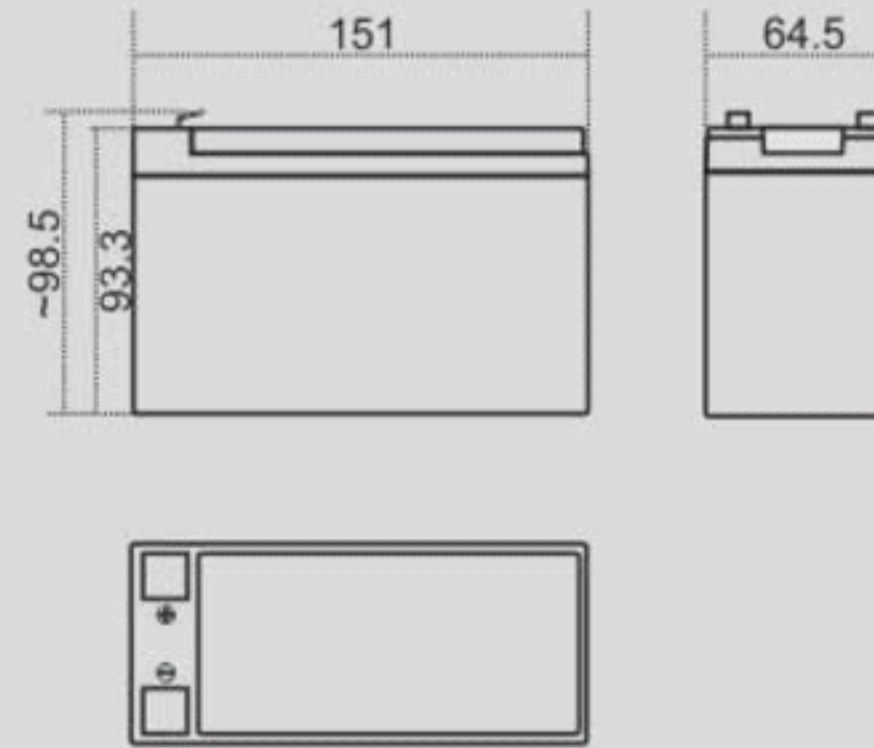


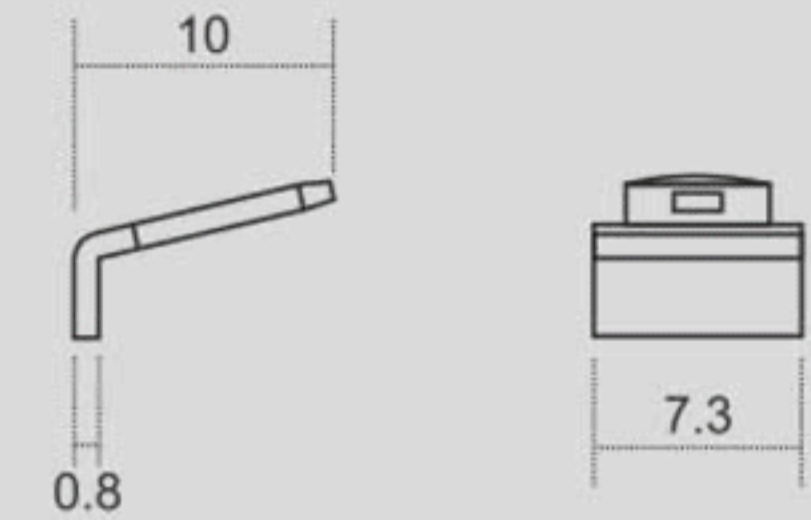
12 SB 7.5 (12V 7.5Ah)



Outer Dimensions (mm)



Terminal Type (mm)



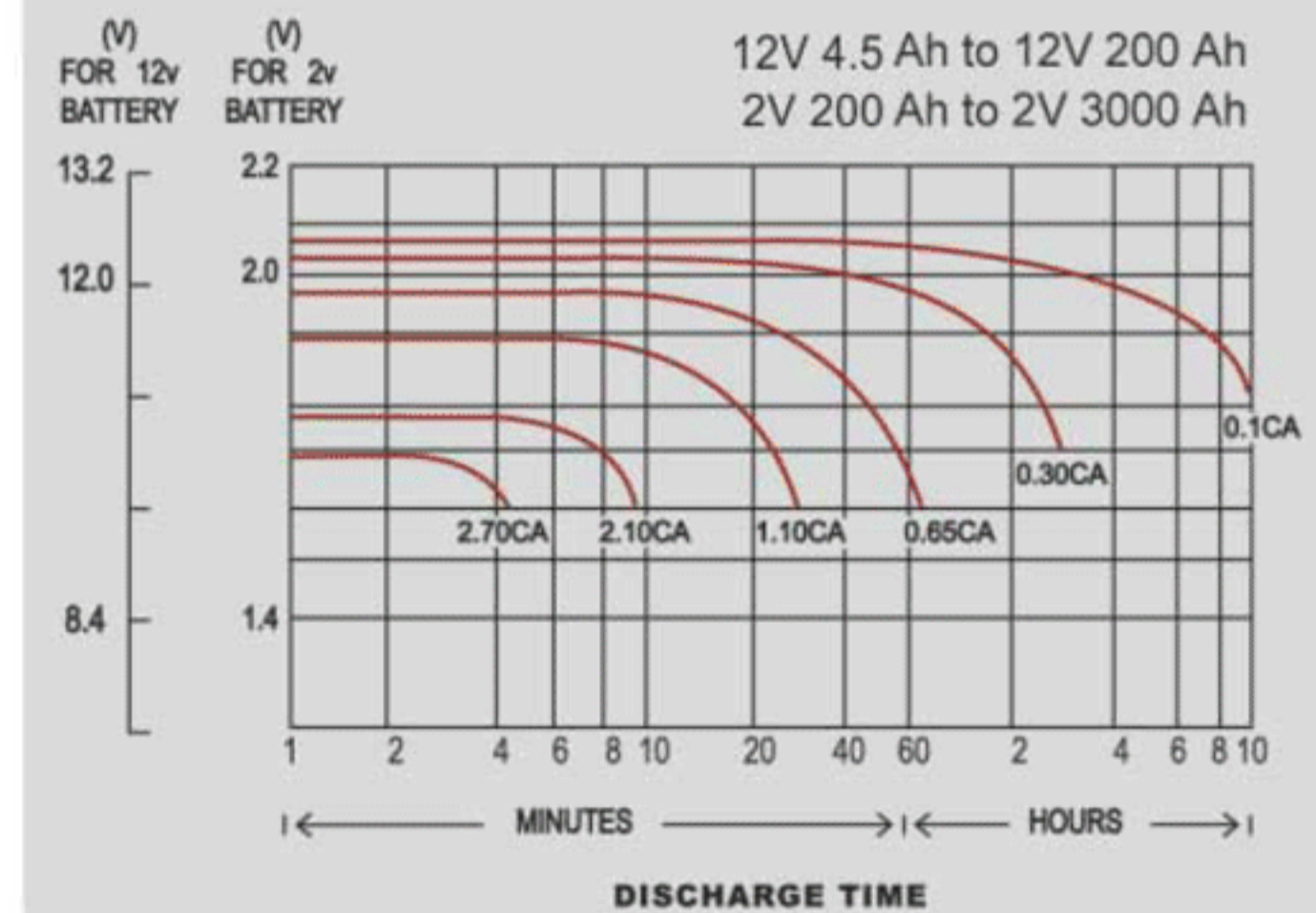
Specifications

Nominal Voltage		12 V
Rated Capacity (10 Hour Rate)		7.5 Ah
Dimensions	Total Height	98 mm
	Height	94 mm
	Length	151 mm
	Width	65 mm
Container Material		ABS (UL94-HB/V0)
Weight Approx (±2.5%)		2.7 Kg

Characteristics

Capacity 25°C (77°F)	10 hour-rate	7.5 Ah
	3 hour-rate	5.3 Ah
	1 hour-rate	3.9 Ah
Internal Resistance	Full Charge Battery at 25°C (77°F)	20 mΩ
Capacity Affected by Temperature (10 Hour Rate)	35°C	7.6 Ah
	25°C	7.5 Ah
	0°C	6.4 Ah
	-10°C	5.3 Ah
Self-Discharge at 25°C (77°F)	Capacity After The 3 Month of Storage	91 %
	Capacity After The 6 Month of Storage	82 %
	Capacity After The 12 Month of Storage	64 %
Charge Constant Voltage	Cycle	Voltage 2.40-2.45 / Cell
	Float	Voltage 2.23-2.25 / Cell

Discharge Curves 25°C (77°F)



Discharge and Final Voltage Table According to IEC60886-21 Standard

Discharge time	0.25 h	1 h	3 h	5 h	8 h	10 h
Final voltage	1.60 VPC	1.60 VPC	1.70 VPC	1.73 VPC	1.75 VPC	1.80 VPC

Constant Current (A) Discharge Table at 25°C (77°F)

Amount of Current (A)	Discharge Time						
	1 h	2 h	3 h	5 h	8 h	10 h	20 h
	3.9	2.53	1.75	0.83	0.79	0.75	0.38