

# SAMA

سما مولد انرژی (سهامی خاص)

## SME335W-72P SME340W-72P Polycrystalline

**17.58%**

Maximum Efficiency

**0~+5<sub>w</sub>**

Output Guarantee



### High conversion efficiency

High module efficiency to guarantee power output



### Self-cleaning glass

Coating glass for self-cleaning, reduce surface dust



### Outstanding low irradiation performance

Excellent module efficiency even in the weallight conditions, such as morning or cloudy



### Excellent loading capability

2400pa wind oads 5400pa snow oads



### 0 to +5W positive tolerance

Detailed information in Electrical Specifications



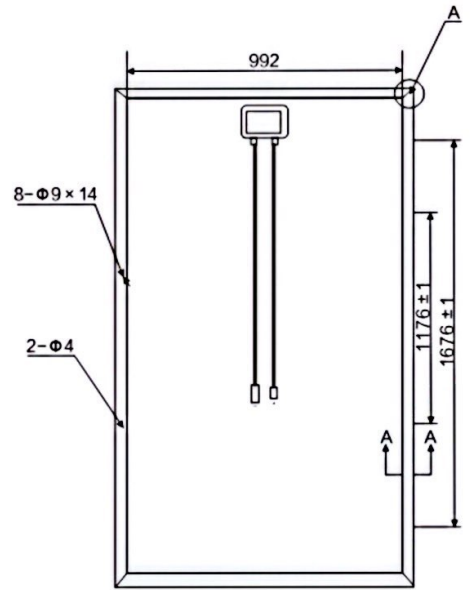
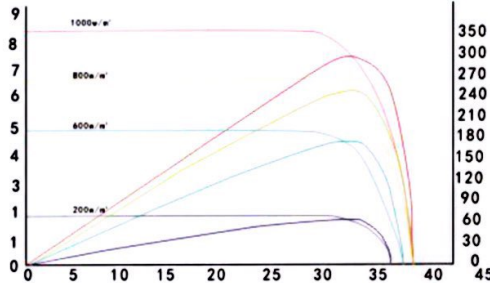
### 48-hour response service





سما مولد انرژی (سهامی خاص)

# SME335-72P SME340-72P Polycrystalline



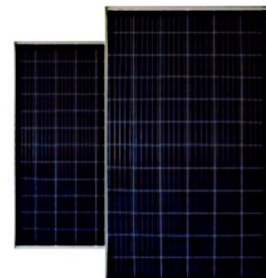
ALL SPECIFIED PARAMETERS ARE AT STC 25°C AMBIENT, 1000W/M<sup>2</sup> IRRADIANCE AND AM 1.5

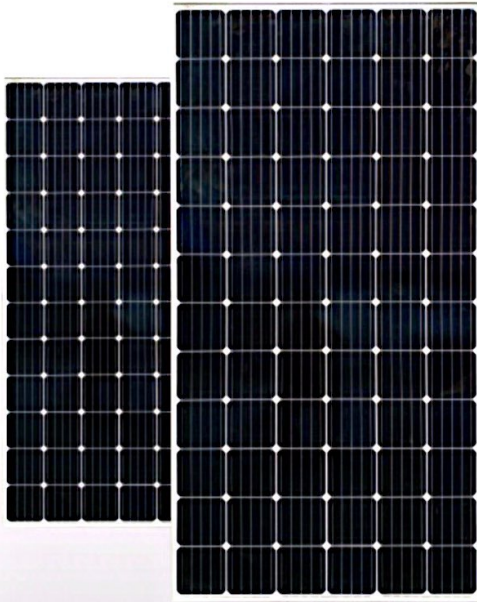
## ELECTRICAL SPECIFICATIONS

Model Type	SME335-72M	SME340-72M
Max Power	335	340
Power Tolerance	0~+5	0~+5
Max-Power Voltage (Vmp)	39.4	39.75
Max-Power Current (Imp)	8.51	8.56
Open Circuit Voltage (Voc)	47.31	47.82
Short Circuit Voltage (Isc)	9.07	9.12
Cell Efficiency (%)	19.7	20.0
Module Efficiency (%)	17.32	17.58
External Dimensions	1956*992*40mm	
Weight	21Kg	
Max-System voltage (VDC)	1500	
Max Series Fuse Rating (A)	15	
Pmax Temperature Coefficiency (%/°C)	-0.4336	
Voc Temperature Coefficiency (%/°C)	0.4049	
Isc Temperature Coefficiency (%/°C)	0.0825	
Nominal Operating Cell Temperature (NOCT)	45 ± 2°C	
Operating Temperature	-40~+85°C	

## MECHANICAL SPECIFICATIONS

Solar Cell	Polycrystalline 156.75×156.75mm (72pcs)
Front Glass	4.0mm tempered glass, low iron
Frame	Anodized/Electrophoretic aluminum alloy
Junction Box	IP68 rated
Output Cabel	4.0m Ԁ symmetrical lengths 900mm
Connector	MC4 Compatible





سما مولد انرژی (سهامی خاص)

# SME385W-72M SME390W-72M Monocrystalline

**20.16 %**

Maximum Efficiency

**0~+5<sub>w</sub>**

Output Guarantee



### High conversion efficiency

High module efficiency to guarantee power output



### Self-cleaning glass

Coating glass for self-cleaning, reduce surface dust



### Outstanding low irradiation performance

Excellent module efficiency even in the weallight conditions, such as morning or cloudy



### Excellent loading capability

2400pa wind oads 5400pa snow oads



### 0 to +5W positive tolerance

Detailed information in Electrical Specifications



### 48-hour response service



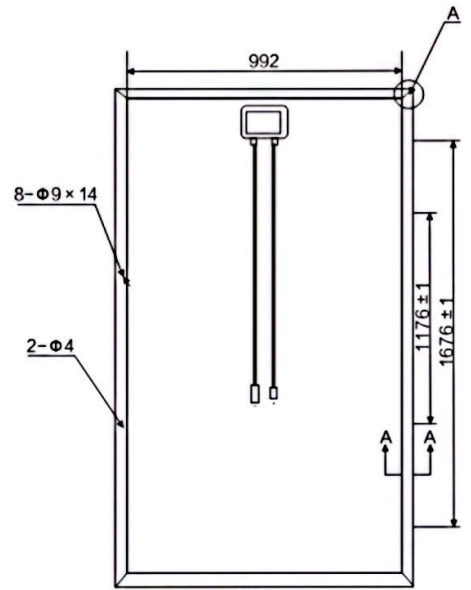
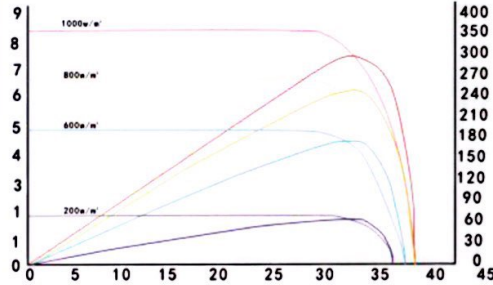


سما مولد انرژی (سهامی خاص)

**SME385W-72M**

**SME390W-72M**

**Monocrystalline**



ALL SPECIFIED PARAMETERS ARE AT STC 25°C AMBIENT, 1000W/M<sup>2</sup> IRRADIANCE AND AM 1.5

**ELECTRICAL SPECIFICATIONS**

Model Type	SME385-72M	SME390-72M
Max Power	385	390
Power Tolerance	0~+5	0~+5
Max-Power Voltage (Vmp)	40.07	40.5
Max-Power Current (Imp)	9.61	9.64
Open Circuit Voltage (Voc)	48.5	49.7
Short Circuit Voltage (Isc)	10.03	10.08
Cell Efficiency (%)	21.8	22.1
Module Efficiency (%)	19.90	20.16
External Dimensions	1956*992*40mm	
Weight	21Kg	
Max-System voltage (VDC)	1500	
Max Series Fuse Rating (A)	15	
Pmax Temperature Coefficiency (%/°C)	-0.4336	
Voc Temperature Coefficiency (%/°C)	0.4049	
Isc Temperature Coefficiency (%/°C)	0.0825	
Nominal Operating Cell Temperature (NOCT)	45 ± 2°C	
Operating Temperature	-40~+85°C	

**MECHANICAL SPECIFICATIONS**

Solar Cell	Monocrystalline 156.75x156.75mm (72pcs)
Front Glass	4.0mm tempered glass, low iron
Frame	Anodized/Electrophoretic aluminum alloy
Junction Box	IP68 rated
Output Cabel	4.0m m symmetrical lengths 900mm
Connector	MC4 Compatible

